

SEAR BURNER CONVERSION KIT AGCK-SB / AECK-SB



IMPORTANT - READ ALL INSTRUCTIONS BEFORE YOU BEGIN

THE INSTRUCTIONS HEREIN SHOULD BE PERFORMED BY A QUALIFIED SERVICE TECHNICIAN. THE GRILL MUST BE COMPLETELY COOL AND THE PREVIOUS GAS SOURCE MUST BE SHUT OFF OR REMOVED BEFORE ATTEMPTING BURNER CONVERSION.

Some parts inside your grill have sharp edges. Care must be taken when handling the various components to avoid personal injury. Wear gloves when handling.

TOOLS REQUIRED:

- Work gloves
- Safety glasses
- Power drill with socket attachment
- Phillips screwdriver
- 5/16" deep socket wrench or nut driver
- 1/2" deep socket wrench with short extension

DANGER

If you smell gas:

1. Shut off gas to the appliance.
2. Extinguish any open flame.
3. Open lid.
4. If odor continues, keep away from the appliance and immediately call your gas supplier or your fire department.

DANGER

1. Do not store or use gasoline or other flammable liquids or vapors in the vicinity of this or any other appliance.
2. An LP cylinder not connected for use shall not be stored in the vicinity of this or any other appliance.

WARNING

IF THE INFORMATION IN THIS MANUAL IS NOT FOLLOWED EXACTLY, A FIRE OR EXPLOSION MAY RESULT CAUSING PROPERTY DAMAGE, PERSONAL INJURY, OR DEATH.

WARNING

Flammable Gas - disconnect all propane or natural gas supplies to this unit before servicing.

WARNING

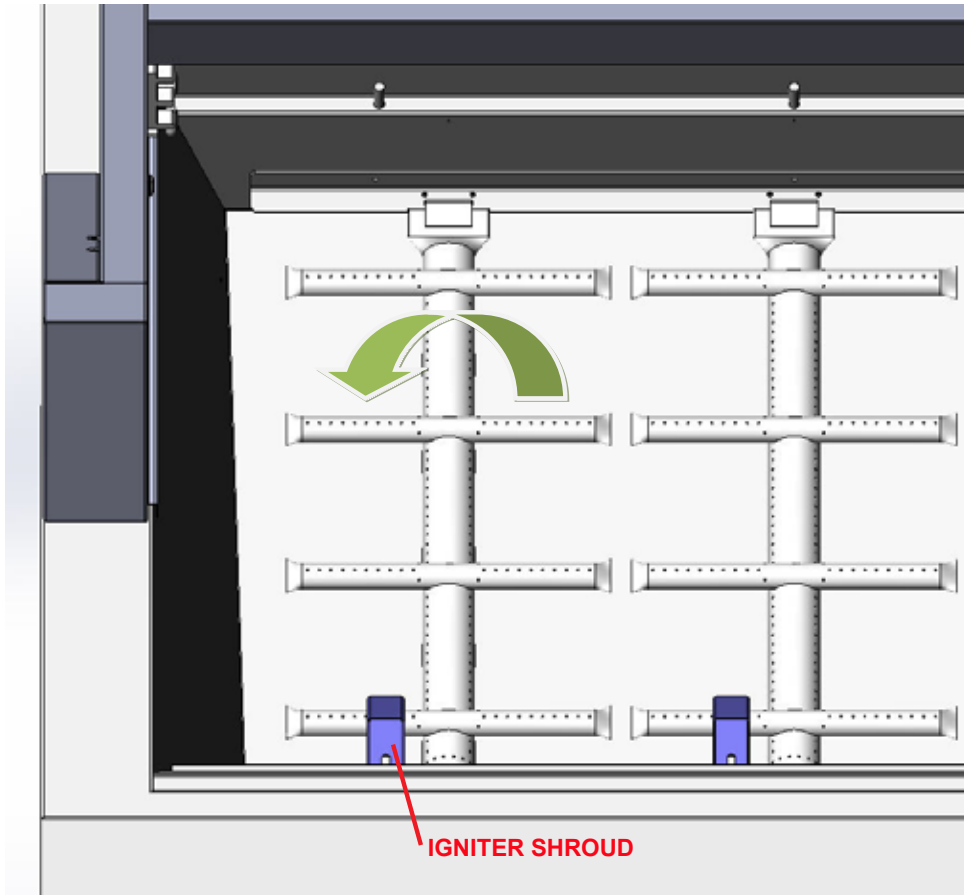
Electrical Parts & Components – disconnect all power supplies and batteries before servicing.

READ THIS MANUAL CAREFULLY AND COMPLETELY BEFORE USING YOUR GRILL TO REDUCE THE RISK OF FIRE, BURN HAZARD, OR OTHER INJURY. KEEP THIS MANUAL FOR FUTURE REFERENCE.

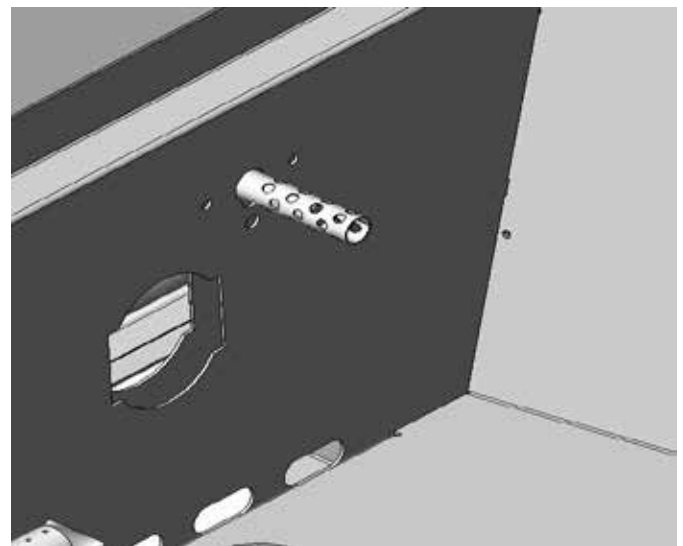
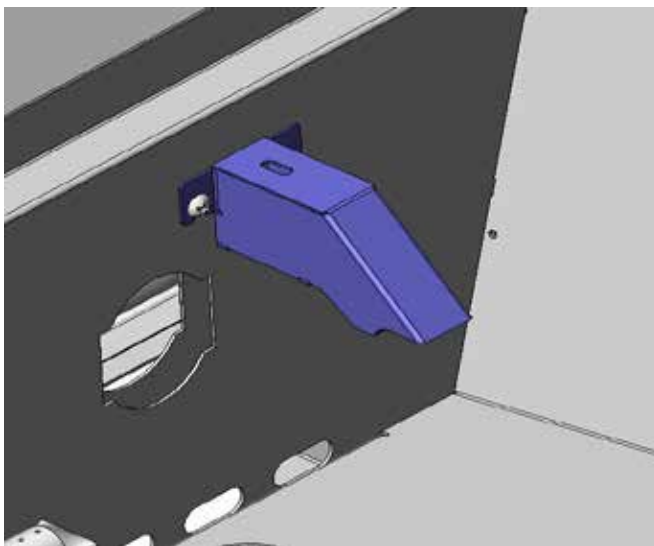


BURNER REMOVAL

1. Open your grill and remove the cooking grates and radiant trays. Open flame burners (Trellis burners in Hestan Grills, and U-Burners in Aspire Grills) are removed by lifting up the rear of the burner, and carefully twisting to clear the igniter shroud. Also remove the control knobs and drip pan.



2. You will also need to remove the igniter shroud for the burner you are changing out. Remove both screws shown to reveal the ceramic igniter. The igniter has a perforated sleeve for protection, however it can crack or snap off if you are not careful.

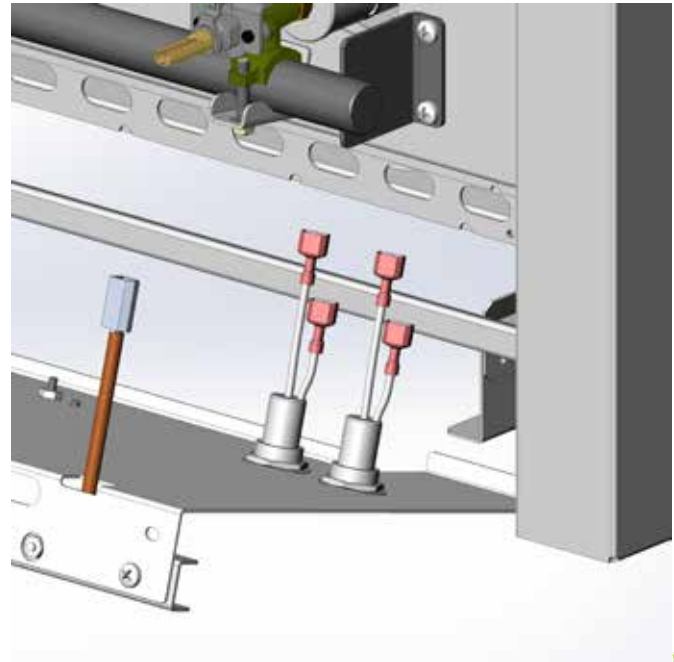
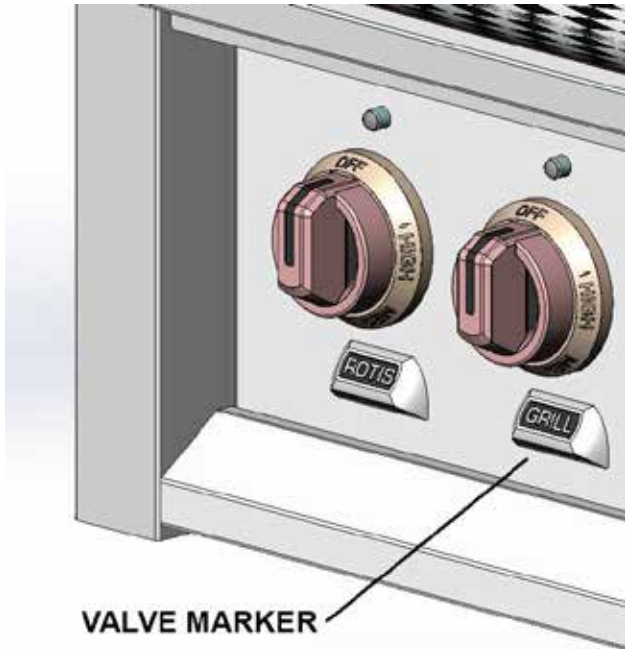


REPLACING THE VALVE MARKER (HESTAN GRILL ONLY)



1. Remove the screws securing the control panel to the front of the grill. Carefully tilt down the control panel being careful not to damage the wires to the switches and LED light bar. Using a 7mm or 9/32" wrench, remove the small nut which secures the valve marker and exchange it for the new one supplied in the kit. Replace the nut and tighten.

EN



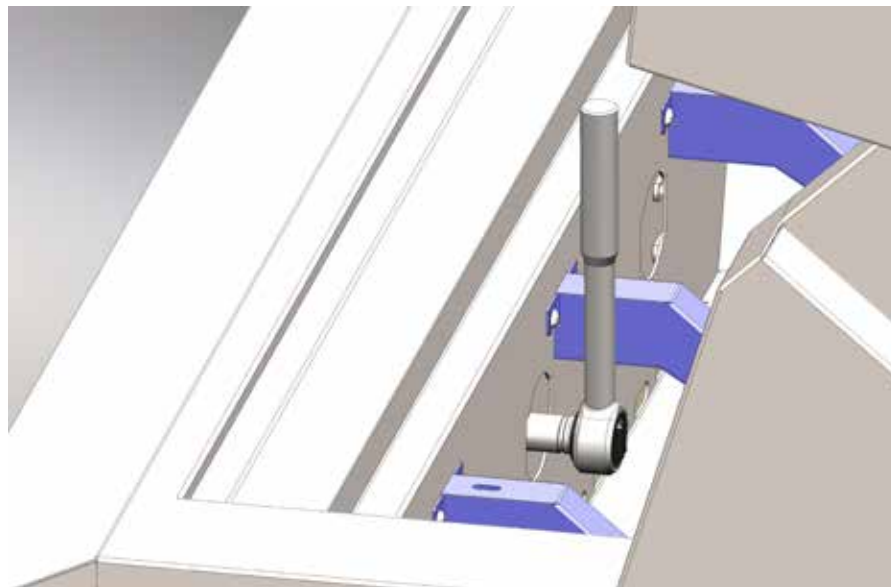
VALVE MARKER

CHANGING ORIFICES (LP UNITS ONLY)



**IF YOUR GRILL HAS NATURAL GAS FUEL (NG),
SKIP THIS SECTION AND PROCEED TO BURNER INSTALLATION**

1. Remove the screws securing the control panel (see previous section) and carefully tilt down the control panel. Pull off the connectors to the switches and the LED light bar at this time. Remove the control panel from the grill and set aside. Before removing the main burner orifices, take a visual note as to how far the orifice is installed onto the valve body. The orifices are removed with a 1/2" deep socket wrench. Use even pressure to break loose the old orifice and remove from the valve.

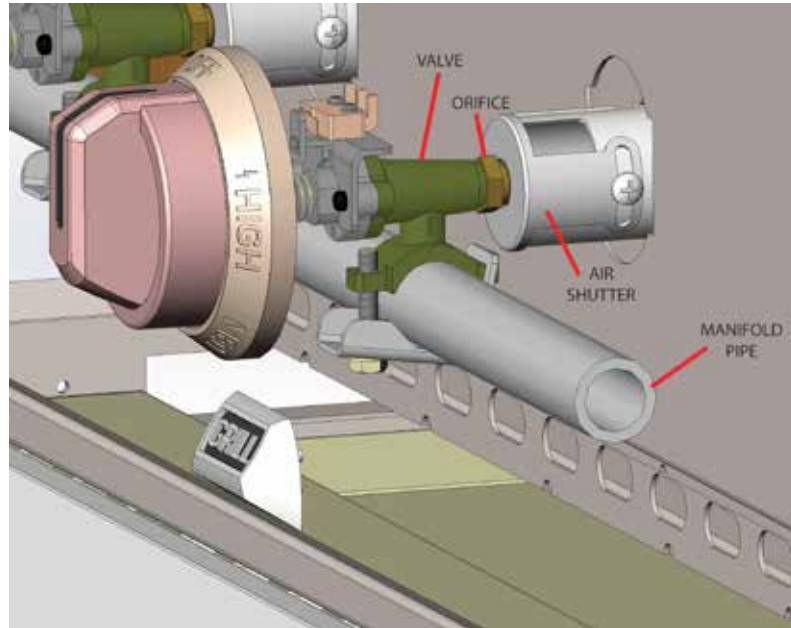




CHANGING ORIFICES (LP UNITS ONLY) *(continued)*

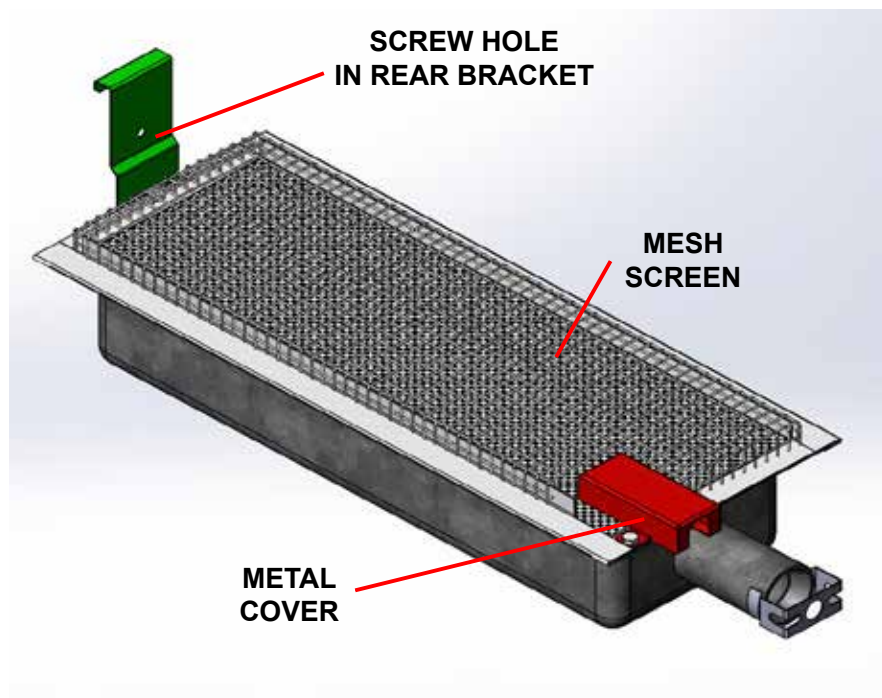
3. The new LP orifice was supplied with this kit - the orifice size is stamped on the body of the orifice. If necessary, consult the chart at the end of this manual for what size is used on each burner type. This is also a good time to clean and inspect the burners for clogged ports, debris, spider webs, etc.

Install the orifice slowly to avoid cross-threading and damaging the threads. The orifice will become noticeably harder to turn as you proceed. Make frequent visual checks of the orifice as it goes onto the valve. As shown below, the orifice is nearly bottomed-out on the valve body. You want to tighten all the orifices equally so they are all seated the same distance. Use a burner to check the orifice is properly seated. As shown, the burner should fully seat with the orifice protruding into the air shutter as far as possible. The burner should rest flat on the burner hanger at the back of the firebox.



SEAR BURNER INSTALLATION

1. Before installation, remove the mesh screen and metal cover on the Sear Burner. This will make installation easier.

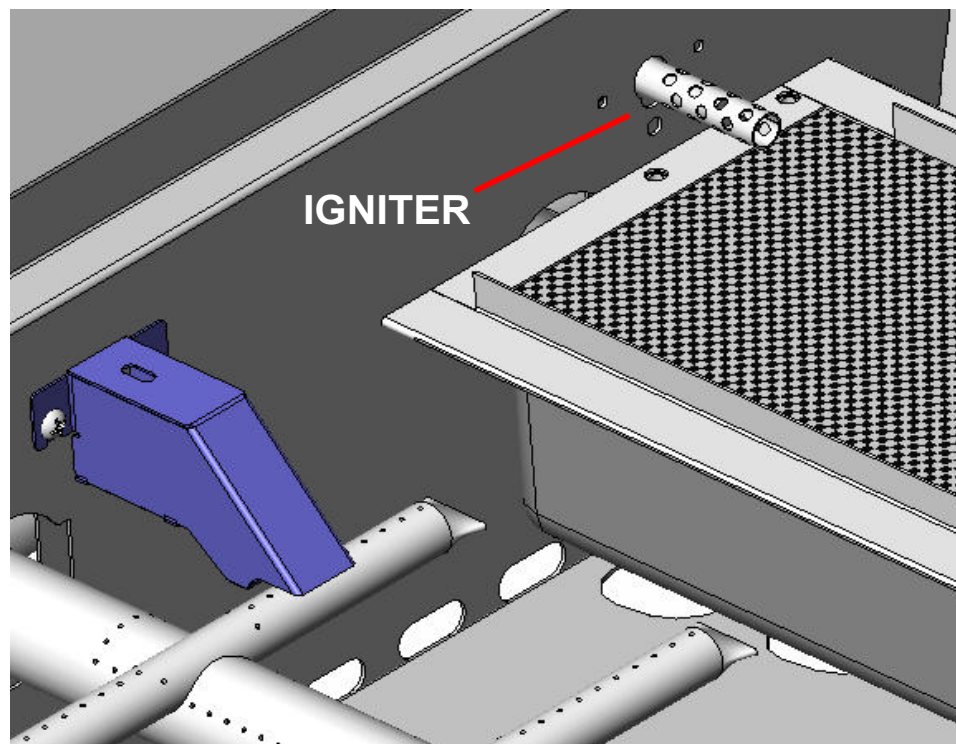


SEAR BURNER INSTALLATION *(continued)*

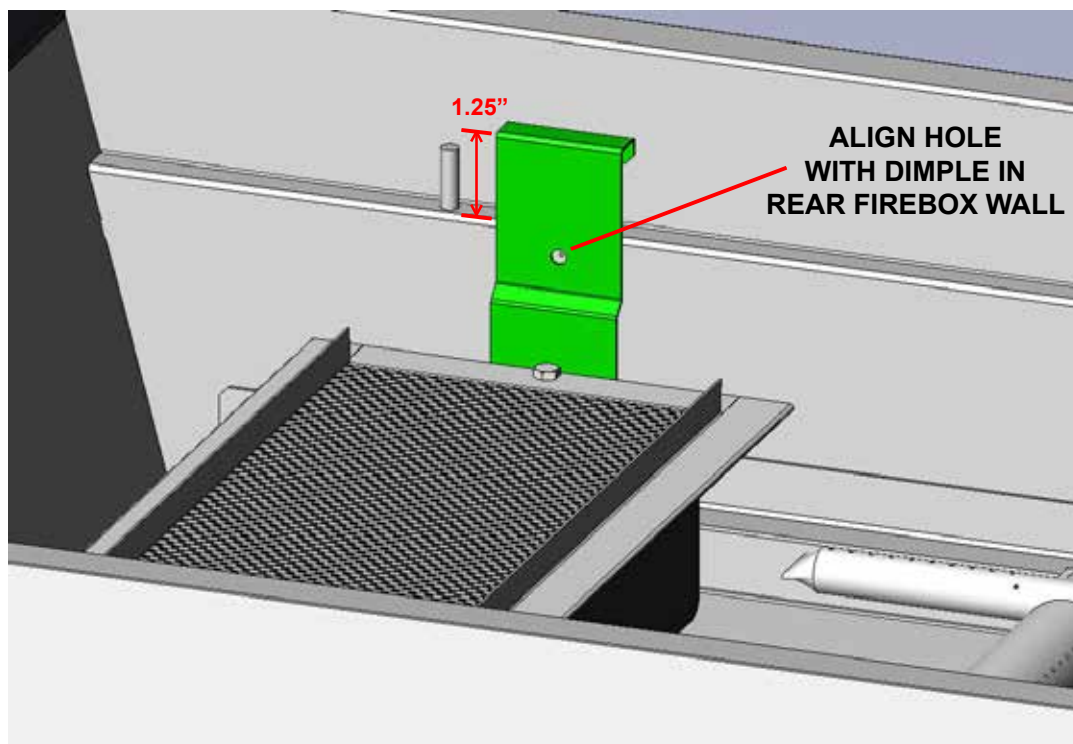


EN

2. Install the burner onto the valve / orifice so that it fully seats. **BE CAREFUL TO AVOID THE CERAMIC IGNITER - IT CAN CRACK OR SNAP OFF !!!**



3. With the burner fully inserted, align the hole in the rear bracket with the tiny dimple in the rear firebox wall. If your grill has no dimple, visually align the burner while maintaining the 1.25" vertical distance as shown below. Use a power drill with 5/16" socket to install the self-drilling screw into the rear wall of the firebox. This will secure the sear burner in place. Go slowly - do not strip the threads or the new hole. Replace the metal cover and mesh screen you removed in step 1.



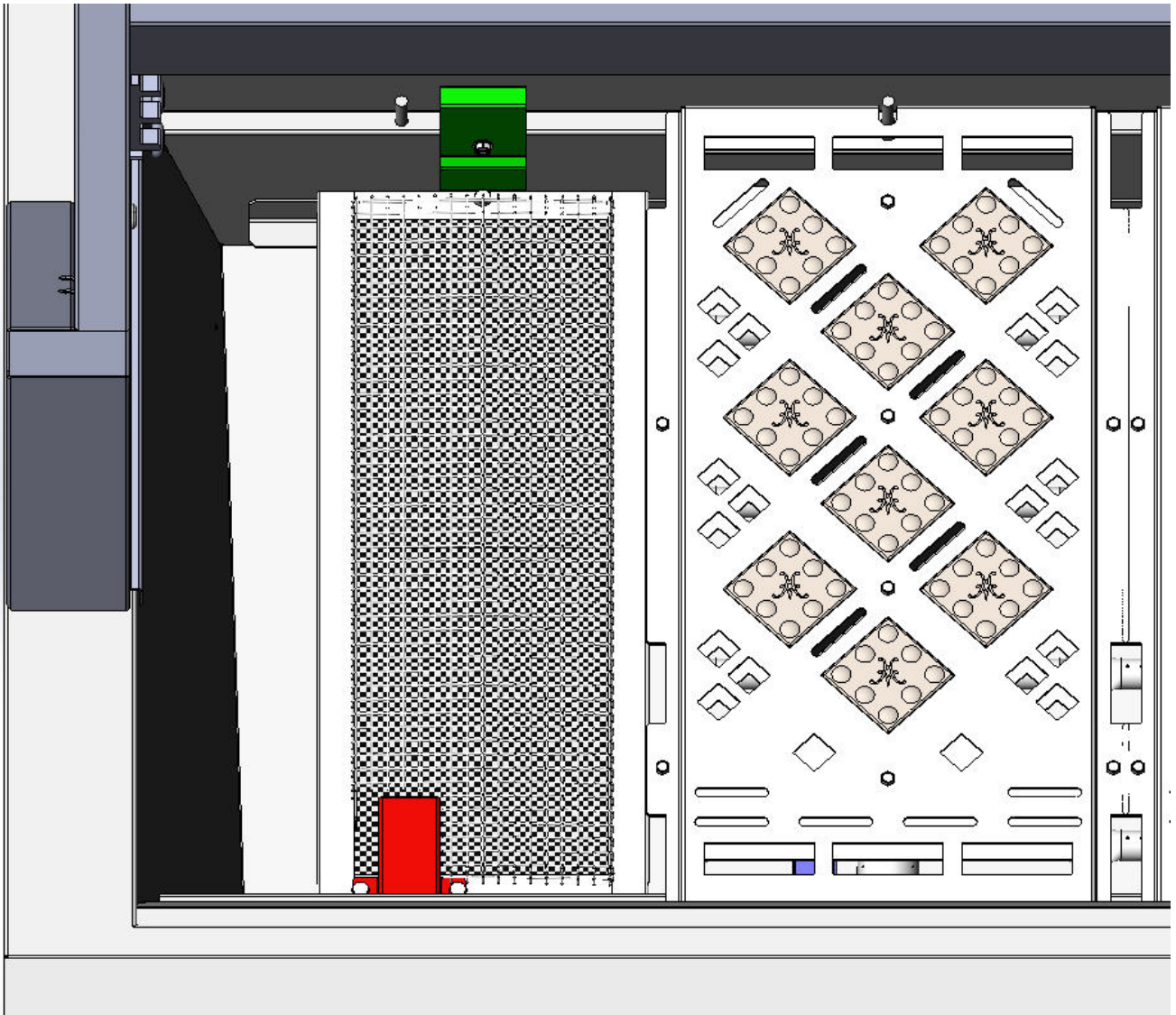


SEAR BURNER INSTALLATION *(continued)*

4. Proceed to the TESTING & ADJUSTMENT section of this manual to assure your new burner is properly leak tested and adjusted (if needed). You may then reinstall the control panel, knobs, drip pan, radiant trays, and cooking grates.

⚠ WARNING

DO NOT INSTALL A RADIANT TRAY OVER THE SEAR BURNER. ONLY TRELIS AND U-BURNERS REQUIRE A RADIANT TRAY.



TESTING & ADJUSTMENT



LEAK TESTING

GENERAL

A complete gas tightness check must be performed of all gas-carrying components due to possible movement during installation, or excessive pressure unknowingly being applied to parts of the unit.

BEFORE TESTING

- Do not smoke while leak testing.
- Never leak test with an open flame.
- Make a soap solution of one part liquid detergent and one part water for leak testing purposes.
- Apply the solution to the gas fittings by using a spray bottle or a brush.
- For LP units, always check with a full LP cylinder.

TO TEST

- Make sure all control valves are in the "OFF" position.
- Apply the soap solution described above to all fittings.
- Turn the gas supply on.
- Check all connections from the supply line, or LP cylinder up to and including the manifold pipe assembly.
- Soap bubbles will appear where a leak is present. If a leak is present, immediately turn off gas supply, tighten any leaking fittings, turn the gas supply back on, and recheck.
- If you cannot stop a gas leak, turn off the gas supply and call the dealer where you purchased your grill.
- Do not use the grill until all connections have been checked and do not leak.

IMPORTANT NOTE - ALWAYS CHECK FOR LEAKS AFTER EVERY LP CYLINDER CHANGE.

BURNER / VALVE ADJUSTMENTS

Consult the GAS CONNECTIONS section of your Hestan or Aspire outdoor appliance for full instructions on burner adjustments, flame appearance, air shutter adjustment, and valve adjustments. This step is very important to ensure successful burner performance after conversion to the new fuel type, or changing orifices for high altitude locations.



Hestan Grill Orifice Chart

Equipment	Burner Type	Gas Type	Rate Per Burner (Btu/hr)	ORIFICE SIZE			Air Shutter Opening (inch)
				Sea Level - 1999 ft (609m)	2000 ft (609m) - 5999 ft (1829m)	6000 ft (1829m) - 10000 ft (3048m)	
30" Hestan Grill	Trellis Burner	NG	25,000	42	43	45	5/16
		LP	25,000	53	54	55	3/8
	Sear Burner	NG	25,000	42	43	45	N/A
		LP	22,000	54	55	56	N/A
	Rotiss	NG	12,000	51	52	53	N/A
		LP	11,000	60	62	64	N/A
36" Hestan Grill	Trellis Burner	NG	25,000	42	43	45	5/16
		LP	25,000	53	54	55	3/8
	Sear Burner	NG	25,000	42	43	45	N/A
		LP	22,000	54	55	56	N/A
	Rotiss	NG	14,000	50	51	52	N/A
		LP	13,000	57	59	62	N/A
42" Hestan Grill	Trellis Burner	NG	25,000	42	43	45	5/16
		LP	25,000	53	54	55	3/8
	Sear Burner	NG	25,000	42	43	45	N/A
		LP	22,000	54	55	56	N/A
	Rotiss	NG	18,000	45	47	49	N/A
		LP	18,000	56	57	59	N/A

Aspire Grill Orifice Chart

Equipment	Burner Type	Gas Type	Rate Per Burner (Btu/hr)	ORIFICE SIZE			Air Shutter Opening (inch)
				Sea Level - 1999 ft (609m)	2000 ft (609m) - 5999 ft (1829m)	6000 ft (1829m) - 10000 ft (3048m)	
30" Aspire Grill	U-Burner	NG	23,000	43	44	47	1/4
		LP	23,000	54	55	56	3/8
	Sear Burner	NG	23,000	43	44	47	N/A
		LP	23,000	54	55	56	N/A
	Rotiss	NG	12,000	51	52	53	N/A
		LP	11,000	60	62	64	N/A
36" Aspire Grill	U-Burner	NG	23,000	43	44	47	1/4
		LP	23,000	54	55	56	3/8
	Sear Burner	NG	23,000	43	44	47	N/A
		LP	23,000	54	55	56	N/A
	Rotiss	NG	14,000	50	51	52	N/A
		LP	13,000	57	59	62	N/A
42" Aspire Grill	U-Burner	NG	23,000	43	44	47	1/4
		LP	23,000	54	55	56	3/8
	Sear Burner	NG	23,000	43	44	47	N/A
		LP	23,000	54	55	56	N/A
	Rotiss	NG	18,000	45	47	49	N/A
		LP	18,000	56	57	59	N/A

RETAIN THIS MANUAL FOR FUTURE REFERENCE



Hestan Commercial Corporation

3375 E. La Palma Ave
Anaheim, CA 92806
(888) 905-7463